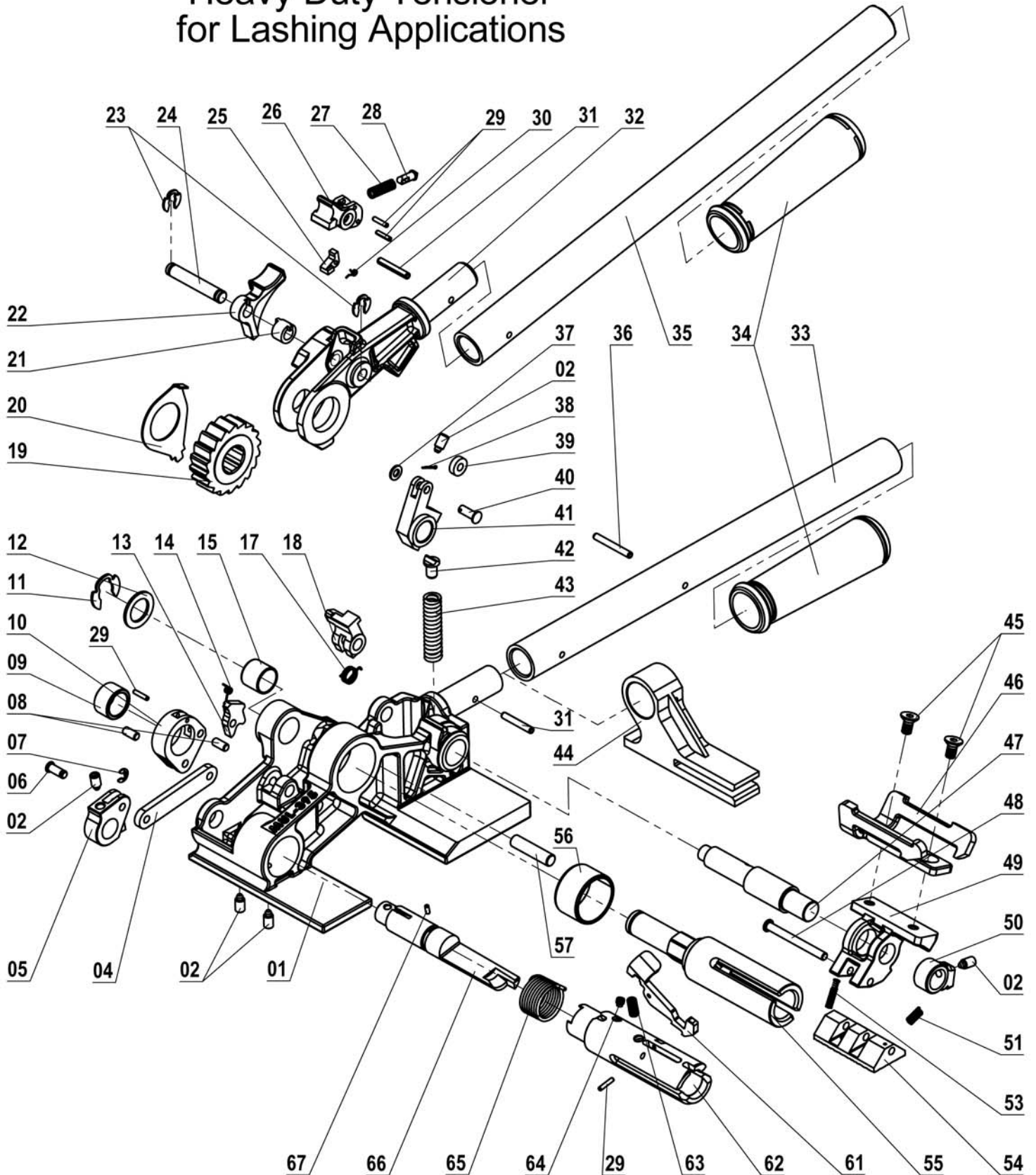




**REDBACK®**  
LOAD RESTRAINT SYSTEMS

# TM395

Heavy Duty Tensioner  
for Lashing Applications



## Heavy Duty Tensioner for Lashing Applications

No	KEY No	DESCRIPTION	QTY.	No	KEY No	DESCRIPTION	QTY.
01	395-01	BASE	1	34	395-34	HANDLE GRIP	2
02	395-02	SET SCREW M6x12	5	35	395-35	LEVER LONG	1
04	395-04	ARM	1	36	395-36	SPRING PIN 4x32	1
05	395-05	CUTTER LEVER	1	37	395-37	WASHER 5,3	1
06	395-06	CUTTER PIN	1	38	395-38	COTTER PIN 1,2x8	1
07	395-07	E-RING 4	1	39	395-39	ROLLER	1
08	395-08	ARM PIN	2	40	395-40	ROLLER PIN	1
09	395-09	BUSHING	1	41	395-41	GRIPPER LEVER	1
10	395-10	CUTTER BUSHING	1	42	395-42	SPRING BUSHING	1
11	395-11	KLIPRING 5/8"	1	43	395-43	GRIPPER LEVER SPRING	1
12	395-12	WASHER	1	44	395-44	STRAPPING SUPPORT	1
13	395-13	CUTTER PAWL	1	45	395-45	COUNTERSUNK HEAD SCREW M6x12	2
14	395-14	SPRING	1	46	395-46	BUCKLE	1
15	395-15	PLANE BEARING SMALL	1	47	395-47	GRIPPER SHAFT	1
17	395-17	RETAINING PAWL SPRING	1	48	395-48	GRIPPER FOOT SHAFT	1
18	395-18	RETAINING PAWL REAR	1	49	395-49	GRIPPER HOLDER	1
19	395-19	RATCHET WHEEL	1	50	395-50	STOP BUSHING	1
20	395-20	HANDLE PLATE	1	51	395-51	SPRING	1
21	395-21	COUPLING	1	53	395-53	GRIPPER FOOT SPRING	1
22	395-22	CUTTER LEVER	1	54	395-54	GRIPPER FOOT	1
23	395-23	KLIPRING 5/16"	2	55	395-55	WINDLASS	1
24	395-24	TENSION PAWL SHAFT	1	56	395-56	PLANE BEARING LARGE	1
25	395-25	RETURN PAWL	1	57	395-57	RETAINING PAWL SHAFT	1
26	395-26	TENSION PAWL	1	61	* 395-61	HOOK	1
27	395-27	TENSION PAWL SPRING	1	62	* 395-62	CUTTER HOUSING	1
28	395-28	TENSION PAWL SPRING PIN	1	63	* 395-63	HOOK SPRING	1
29	395-29	SPRING PIN 3/32x7/16	4	64	* 395-64	SET SCREW M5x5	1
30	395-30	RETURN PAWL SPRING	1	65	* 395-65	CUTTER SPRING	1
31	395-31	SPRING PIN 4x26	2	66	* 395-66	CUTTER	1
32	395-32	TENSION HEAD	1	67	* 395-67	SPRING PIN 2,5x6	1
33	395-33	HANDLE LEVER SHORT	1				

\* Part of the Cutter Assembly, order Part\_No 395-60