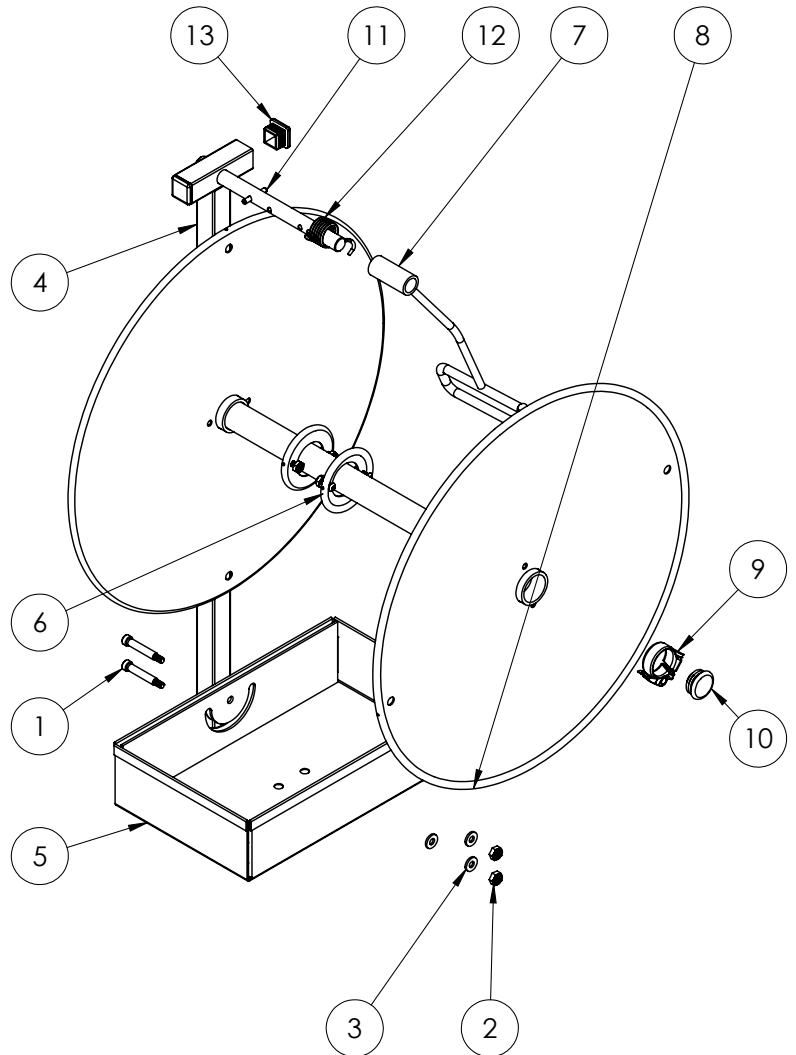


ITEM NO.	PART NUMBER	DESCRIPTION	QTY.	Price Each
1	1225-06	Center Shoulder Bolt	2	5.50
2	1225-06-B	1/4" Nylock Hex Nut	2	0.75
3	1225-12	Washer	3	0.75
4	3032-01	Frame Assembly	1	52.50
5	3032-01-E	Tray Assembly	1	
6	3040-03	3" Disk Insert Set	1	N/A
7	3040-04	Brake Assembly	1	19.75
8	3045-15	Disk Assembly	2	42.75
9	3080-07	Quick Clamp	1	9.00
10	3080-10-B	1.125" Round Tube Plug	1	1.25
11	3340-04-F	Roll Pin	1	0.75
12	3340-05	Torsion Spring	1	4.50
13	5920-09	Square Tube Plug	2	1.00



REDBACK®
LOAD RESTRAINT SYSTEMS



T: 425.455.9200 1.866.455.1345 F: 425.455.1750
www.REDBACK.com

Copyright ©2017 All Rights Reserved
Redback Industries, LLC