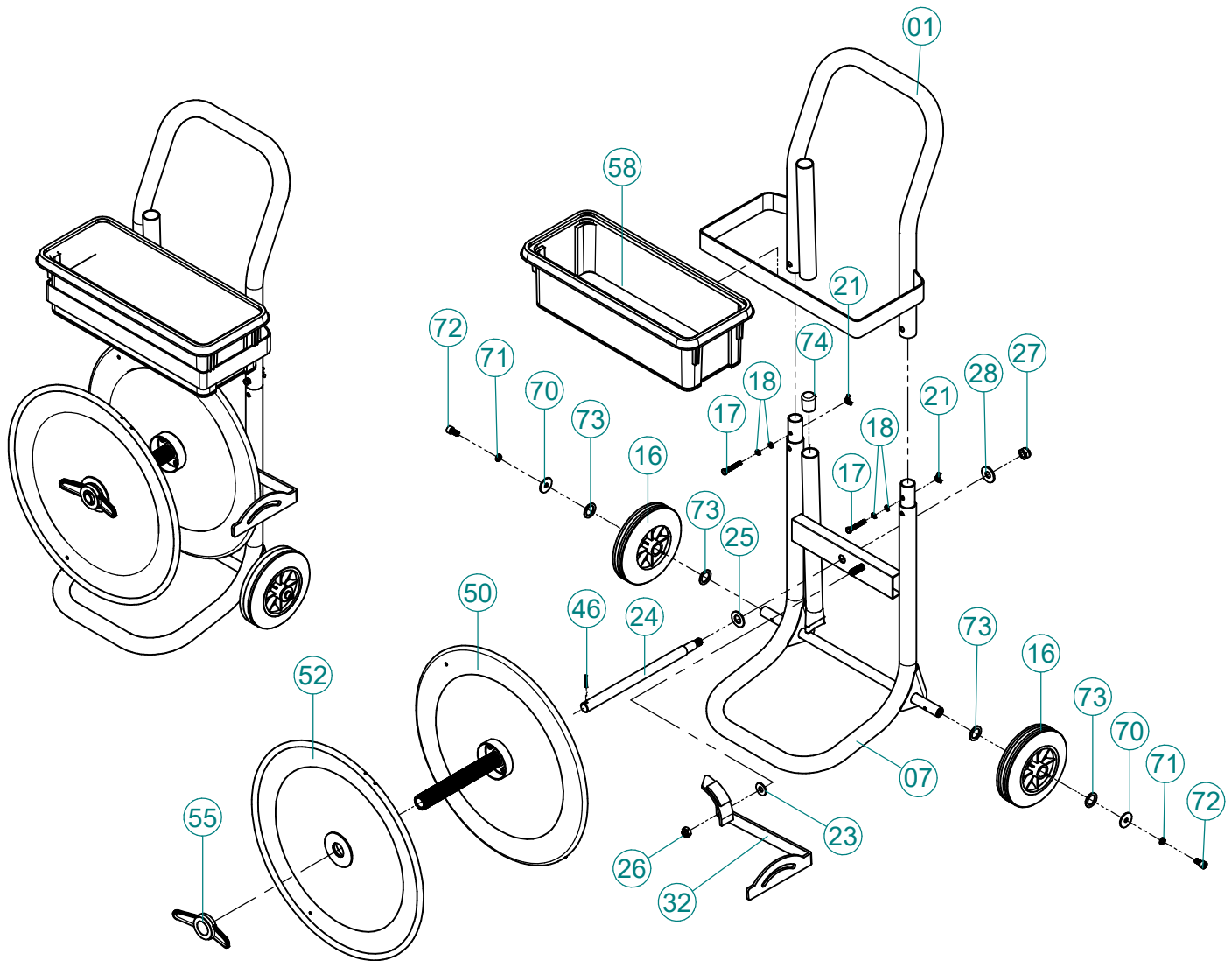


T307

Strapping Dispenser



Part No.	Part Name	QTY
01	Upper Base	1
07	Lower Base	1
16	Wheel	2
17	Screw	2
18	SP Washer	4
21	Butterfly Nut	2
23	Washer	1
24	Shaft	1
25	Washer	1
26	Nylon Nut	1
27	Nylon Nut	1
28	Washer	1
32	Brake Assembly	1
46	Pin	1
50	Male Disc	1
52	Female Disc	1
55	Wing Nut	1
58	Tool Tray	1
70	Washer	2
71	SP Washer	2
72	Screw	2
73	Washer	2
74	Pipe Cap	1



T: 425.455.9200 1.866.455.1345 F: 425.455.1750

Copyright ©2023 All Rights Reserved
Redback Industries, LLC